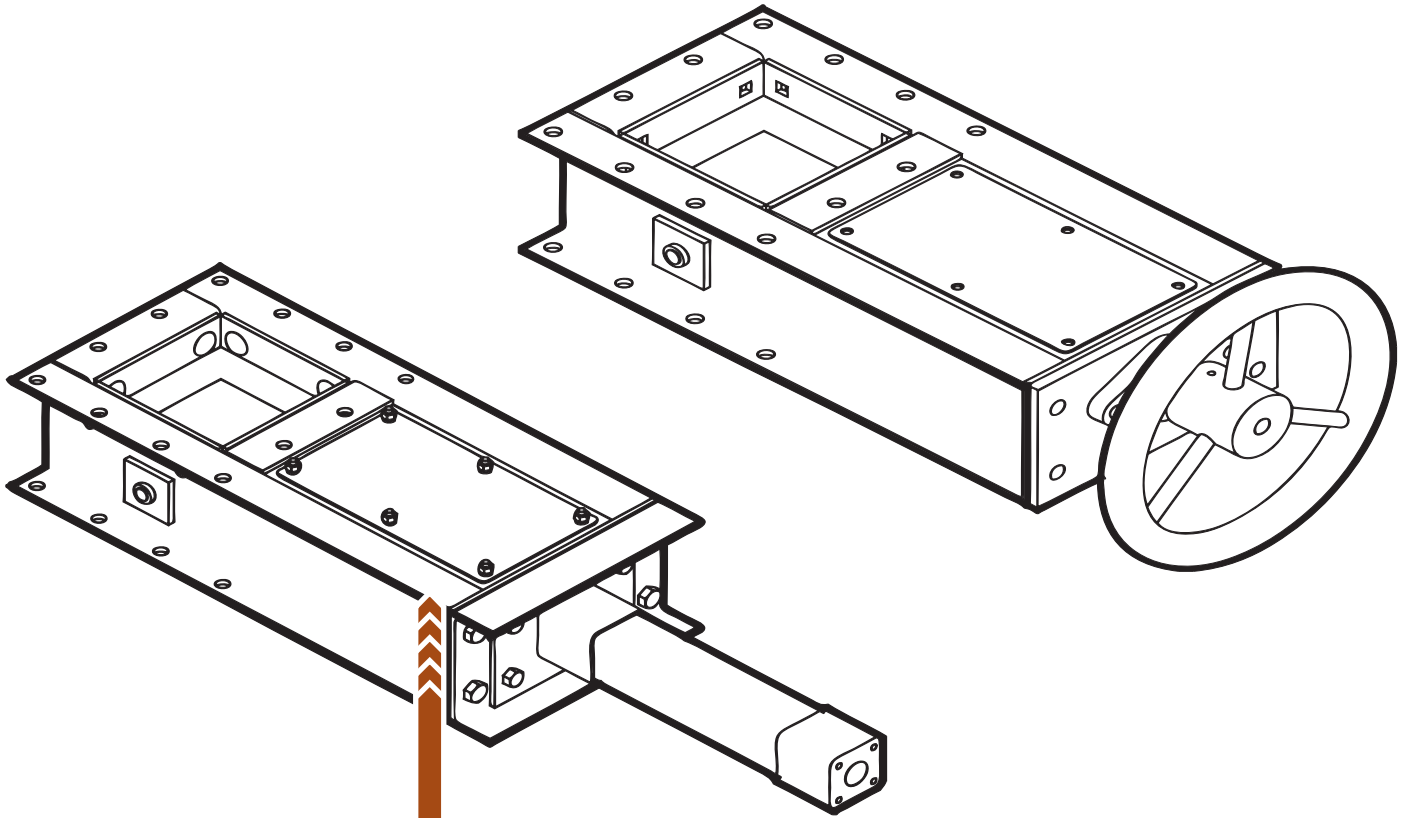


SLSERIES | Slide Gates

SIMPLE, ROBUST AND ECONOMICAL ISOLATION UNIT



- **ECONOMICAL & RELIABLE SOLUTION FOR BULK MATERIAL ISOLATION**
- **COMPACT, SIMPLE AND ROBUST DESIGN**
- **MANUAL, AND PNEUMATIC ACTUATION**
- **UPTO 350°C PRODUCT TEMPERATURE**
- **PRESSURE-TIGHT SUPPORT FRAME**
- **MINIMAL LEAKAGE OF MATERIALS WITHOUT CLOGGING**
- **EASY TO INSTALL AND MAINTAIN. HEAVY DUTY ISOLATION.**
- **DESIGNED AND MANUFACTURED TO MEET INTERNATIONAL STANDARDS**
- **CUSTOM-MADE TO SUIT SPECIFIC REQUIREMENTS**

SLSERIES | Slide Gates

SIMPLE, ROBUST AND ECONOMICAL ISOLATION UNIT

The Anval Slide Gate Valve Series was designed to provide a quick acting isolation unit that can be installed into a bulk handling flow path to stop material flow.

The Anval SL Slidegate Valve Series is excellent for industries and applications where the isolation of solids is needed. This is achieved through the forcing of the blade into the valve seat by the cam rollers. Free flow of material is assured without clogging and with minimal leakage.

SL Valve Series has been designed to meet International Standards as well as to Anval's high internal design standards. This Series incorporates improved sealing, designed for industries where dust emissions are unacceptable and has been tested above 350°C.

The SL Series Slidegate valves can be manufactured to opening size ranging from 150MM to 300 MM. The units can be actuated manually or pneumatically and are a self contained and self supporting unit. Customised stainless steel valves can be provided as an option, a deviation from the default mild steel valve.

Installation has been made easy as the valve can be bolted directly into the flow line by its top and bottom flanges and does not require any additional support. The valve can be installed in any position provided that the flow of material is from the removable chute side.

Anval can offer full service and spare parts support for their valves and can work with clients to achieve the optimum outcome for their equipment and maintenance needs.

